

JAFTEX

EST. 1930

Free Spirit

Henry Glass & Co., Inc.

STUDIO fabrics
A Division Of JafTex Corporation
www.studiofabrics.net

Blank
QUILTING CORPORATION
the fabric of inspiration

3wishes
fabric

A.E. NATHAN COMPANY, INC.

Fabric
Editions, Inc.

Learn. Make. Love.

SIY Project



Sew It Yourself

The following project was created with fabric that your local retailer may no longer have available. You can re-create these projects by replacing the fabrics shown using the fabric key as a guide for similar colorations or styles.

PROJECT DISCLAIMER: Every effort has been made to ensure that all projects are error free. All the information is presented in good faith, however no warranty can be given not results guaranteed as we have no control over the execution of instructions. Therefore, we assume no responsibility for the use of this information or damages that may occur as a result. When errors are brought to our attention, we make every effort to correct and post a revision as soon as possible. We recommend that you test the project prior to cutting for kits. Finally, all free projects are intended to remain free to you and are not for resale.

SIY - Sew It Yourself™ is a trademark of JafTex Corporation



KAFFE
FASSETT
COLLECTIVE
for

FreeSpirit

Darling Duvet Cover & Pillowcases

Featuring Kaffe Fassett Artisan Collection & Woven Ikat

Sleeping under something colorful is always fun and this bright Kaffe Fassett print mix-up is simply charming. Both sides of the cover are different, so you can mix and match to suit your mood. Just tuck in your duvet and you're sure to slumber peacefully. Coordinated cases require no additional fabric.

Collection:	Kaffe Fassett Artisan Collection & Woven Ikat
Technique:	Piecing, Sewing
Skill Level:	Intermediate
Crafting Time:	Weekend*
Finished Size:	Duvet: 88 ¹ / ₂ " (224.79cm) square (fits a queen size duvet)
	Pillowcases: 20" x 30" (50.20cm x 76.20cm) (fits a standard size pillow)

*Crafting time based on intermediate skill level

Darling Duvet Cover & Pillowcases



Project designed by Pam Hastings

Fabric Requirements

DESIGN	COLOR	ARTICLE CODE	YARDAGE
(A) Raked	Pumpkin	PWKF004.PUMPK	2 $\frac{5}{8}$ yards (2.40m)
(B) Ikat Stripe	Yellow	WOKF001.YELLO	2 $\frac{5}{8}$ yards (2.40m)
(C) Embroidered Flower Stripe	Orange	PWKF001.ORANG	2 $\frac{5}{8}$ yards (2.40m)
(D) Squiggle	Mauve	PWKF005.MAUVE	2 $\frac{5}{8}$ yards (2.40m)
(E) Layered Stripe	Orange	PWKF003.ORANG	2 $\frac{5}{8}$ yards (2.40m)
(F) Paint Pots	Orange	PWKF002.ORANG	2 $\frac{5}{8}$ yards (2.40m)
(G) Gerbera	Sunshine	PWKF006.SUNSH	5 $\frac{1}{8}$ yards (4.69m)

* includes binding

Additional Requirements

- Coats® 100% Cotton Thread
- 3 $\frac{1}{3}$ yards (3.05m) twill tape, $\frac{1}{2}$ " (1.27cm)
- 1 $\frac{1}{3}$ yards (1.22m) sew-on hook-and-loop tape, $\frac{3}{4}$ " (1.91cm)
- Sewing machine
- Serger (optional)
- Iron/pressing board
- Basic sewing supplies



(A)



(B)



(C)



(D)



(E)



(F)



(G)

Darling Duvet Cover & Pillowcases



Cutting

Fabrics A, cut:

(1) 10½" x 90" (26.67cm x 228.60cm)

From the remaining fabric, cut (2) 31" x 41" (78.74cm x 104.14cm) rectangles for pillowcases.

Fabrics B, cut:

(2) 9½" x 90" (24.13cm x 228.60cm)

Fabric C, cut:

(3) 9½" x 90" (24.13cm x 228.60cm)

(2) 6" x 90" (15.24cm x 228.60cm)

Fabrics D, cut:

(2) 10" x 90" (25.40cm x 228.60cm)

Fabric E, cut:

(1) 10½" x 90" (26.67cm x 228.60cm)

Fabric F, cut:

(2) 10 x 90" (25.40cm x 228.60cm)

From the remaining fabric, cut (2) 9" x 41" (22.86cm x 104.14cm) strips for pillowcases.

Fabric G, cut:

(2) 20" x 90" (50.80cm x 228.60cm)

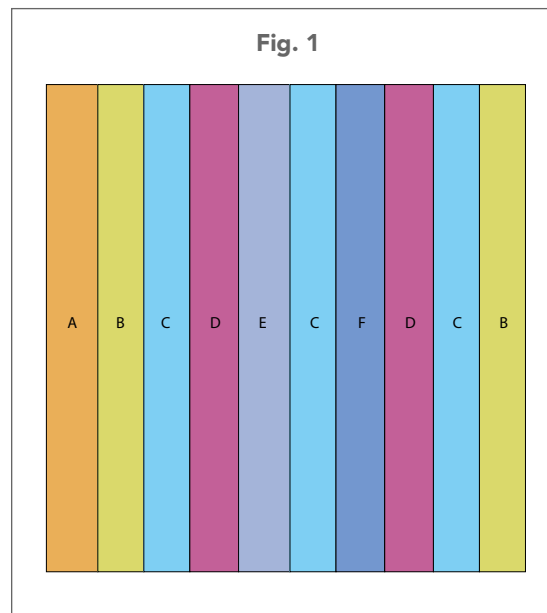
(1) 41½" x 90" (105.41cm x 228.60cm)

Duvet Sewing

Front

Note: The cover piecing is done with French seams for a nice inside finish.

1. With wrong sides together and using a ¼" (.64cm) seam, sew the long edges of the strips together in the following order (**Fig. 1**)



Fabric A

Fabric B

9½" (24.13cm) **Fabric C**

Fabric D

Fabric E

9½" (24.13cm) **Fabric C**

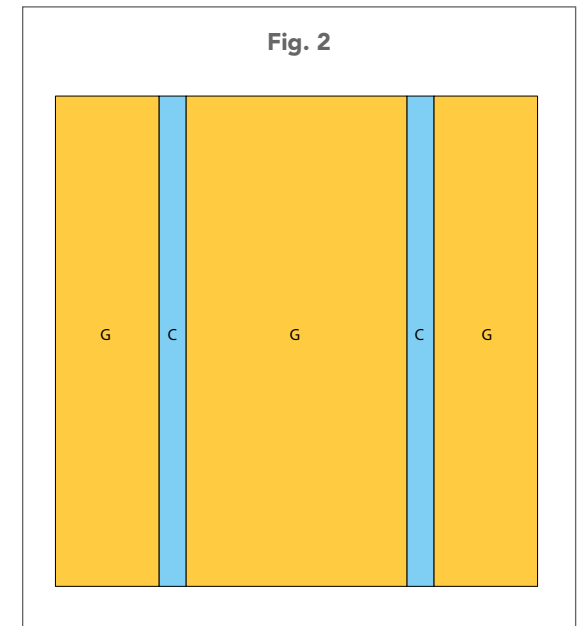
Fabric F

Fabric D

9½" (24.13cm) **Fabric C**

Fabric B

2. Trim the seam allowances to ⅛" (.32cm) and press to one side. Refold the fabrics **right** sides together with the previously sewn seam along the fold edge; press. Sew ¼" (.64cm) from the fold, encasing the previously sewn seam allowances (**Fig. 2**).

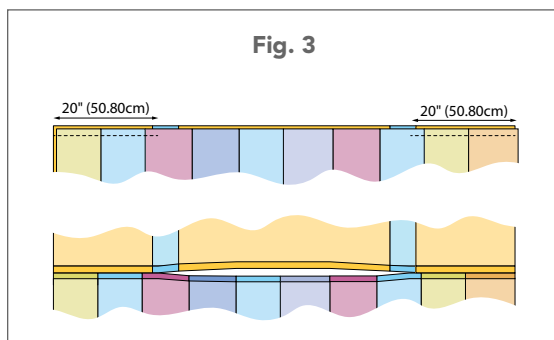


3. Repeat step 3 for all the seams on the duvet front.

Darling Duvet Cover & Pillowcases

Back

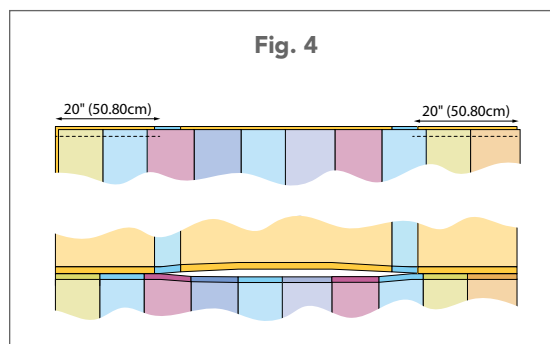
- Following the steps above to make French seams, sew the back strips together in the following order (**Fig. 3**):



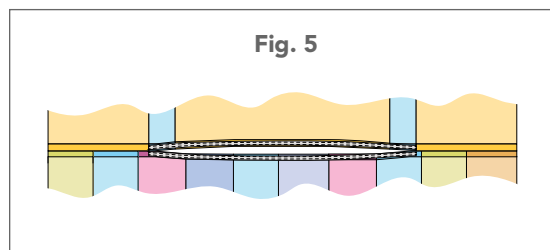
- 20" x 90" (50.80cm x 228.60cm) **Fabric G**
6" x 90" (15.24cm x 228.60cm) **Fabric C**
41½" x 90" (105.41cm x 228.60cm) **Fabric G**
6" x 90" (15.24cm x 228.60cm) **Fabric C**
20" x 90" (50.80cm x 228.60cm) **Fabric G**

Finishing

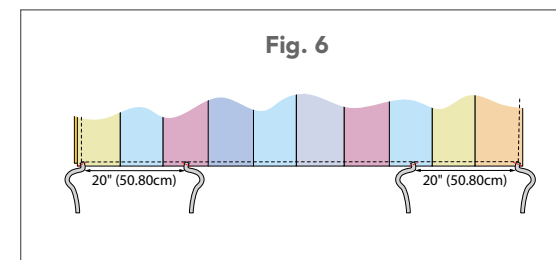
- Finish the duvet cover top edges with zigzag or serging.
- Place the duvet front and back right sides together and mark a line 20" (50.80cm) in from each side along the top edge. Sew the duvet together using a 1" (2.54cm) seam allowance along the top edge, leaving the center open between the marks (**Fig. 4**). Press under the seam allowances in the opening.



- Sew one half of the hook-and-loop tape to each half of the center opening seam allowance, stitching around the tape and through all layers of the duvet cover (**Fig. 5**).



- With the duvet cover right sides together, sew around the sides and bottom edges using a ½" (1.27cm) seam allowance. Finish all the seam allowance edges with zigzag or serging.
- Cut the twill tape into (8) 15" (38.10cm) lengths.
- Sew four of the ties to the duvet cover bottom seam allowances, placing one in each corner and one tie about 20" (50.80cm) in from each side. Sew the remaining ties to the corresponding location on the actual duvet (**Fig. 6**).



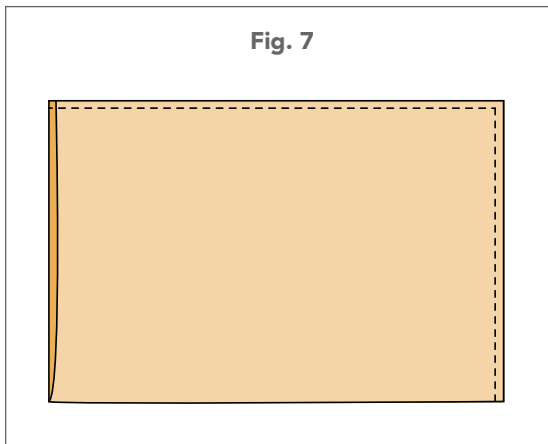
- Turn the duvet cover right side out and press.
- Insert the duvet through the top opening with the ties at the bottom; tie in place and press the hook-and-loop tape closed.

Darling Duvet Cover & Pillowcases

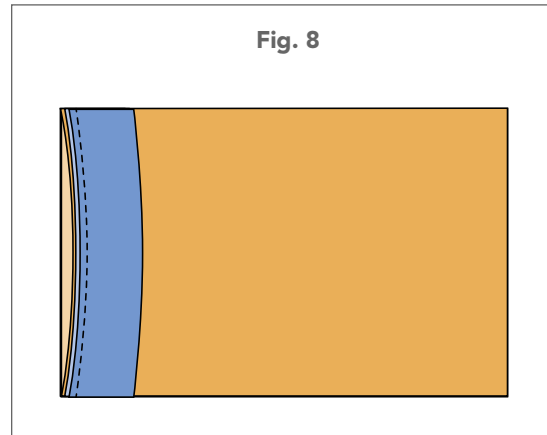
Pillowcase Sewing

Note: Seam allowances are $\frac{1}{2}$ " (1.27cm).

1. Sew the short ends of the 9" x 41" (22.86cm x 104.14cm) **Fabric F** strips together. Press the seam allowances open. Fold the circle in half, wrong sides together, and press the fold to make the pillowcase band.
2. With right sides together, fold the 31" x 41" (78.74cm x 104.14cm) **Fabric A** rectangle in half to form a 20½" x 31" (52.07cm x 78.74cm) double rectangle. Stitch the long edges and one short end together (**Fig. 7**). Serge or zigzag finish the seam allowances together.



3. Turn the pillowcase body right side out and press.
4. With right sides together, slip the folded band over the pillowcase body, matching raw edges and the seam. Sew around the circle (**Fig. 8**). Serge or zigzag finish the seam allowances together. Press the seam allowances toward the pillowcase body.



5. Repeat steps 1-4 for to construct the second pillowcase.

Front



Back

